

FIG. 1



Applicant: Vinh N. Le
Serial No. 10/044,713
Filed: January 12, 2002
Attorney Docket: 180577-00160
Sheet 2 of 3

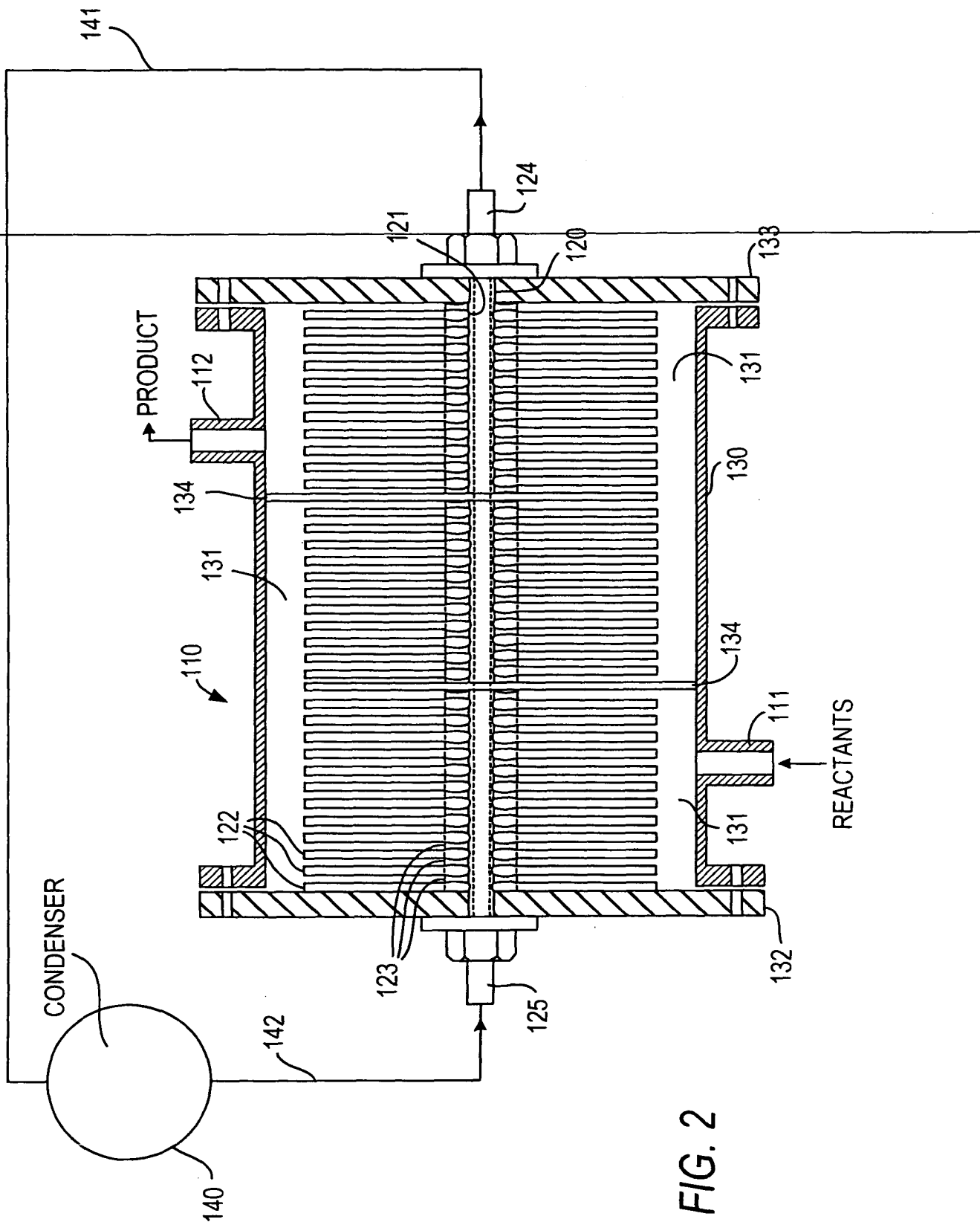


FIG. 2



Applicant: Vinh N. Le
Serial No. 10/044,713
Filed: January 12, 2002
Attorney Docket: 180577-00160
Sheet 3 of 3

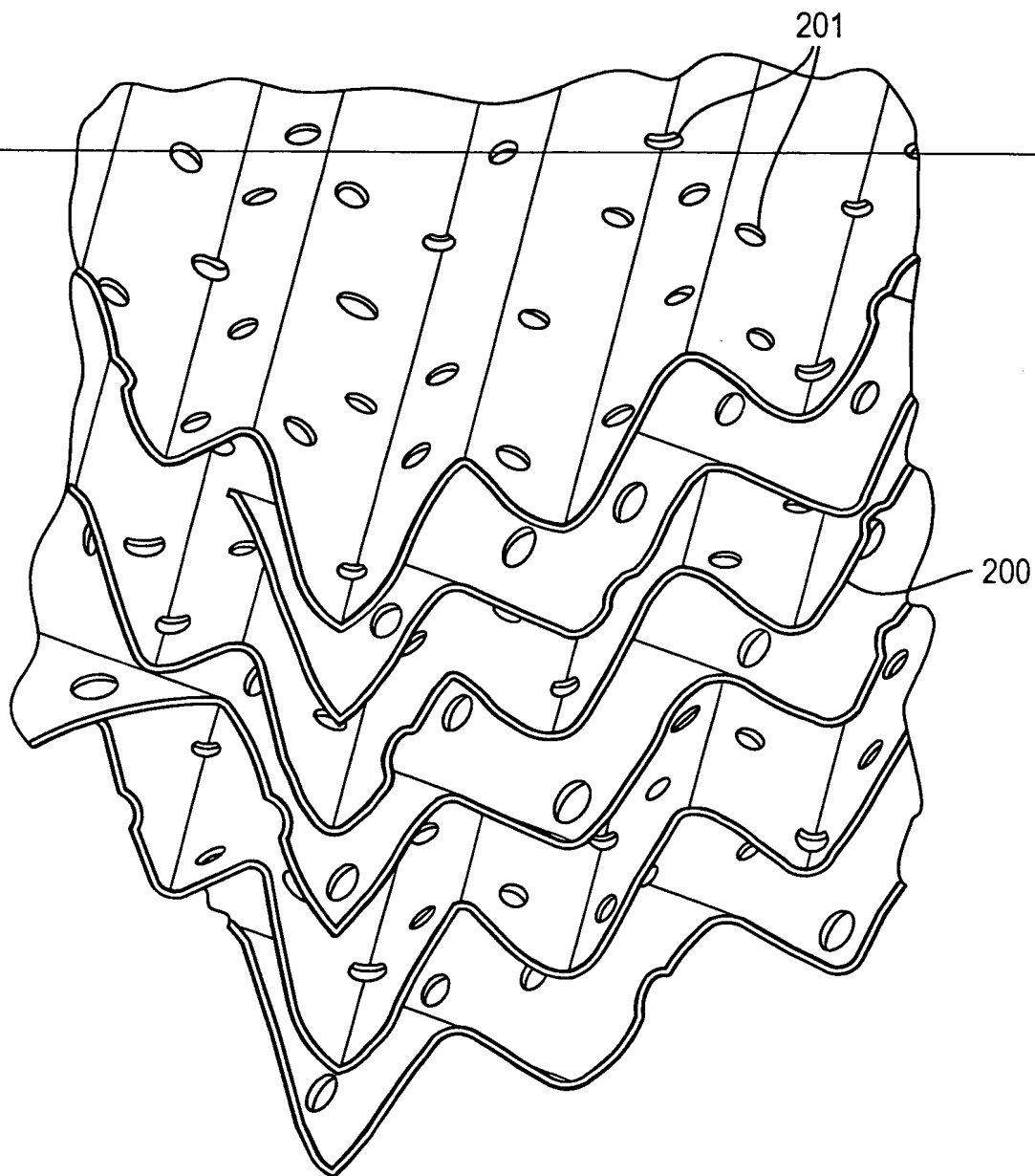


FIG. 3